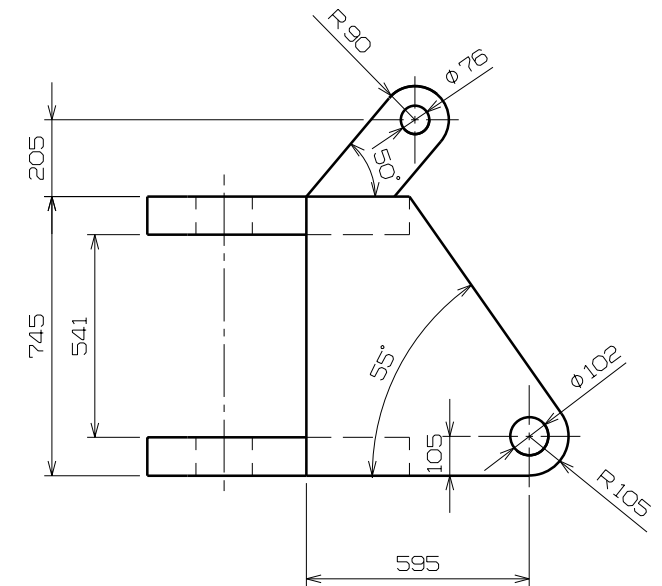
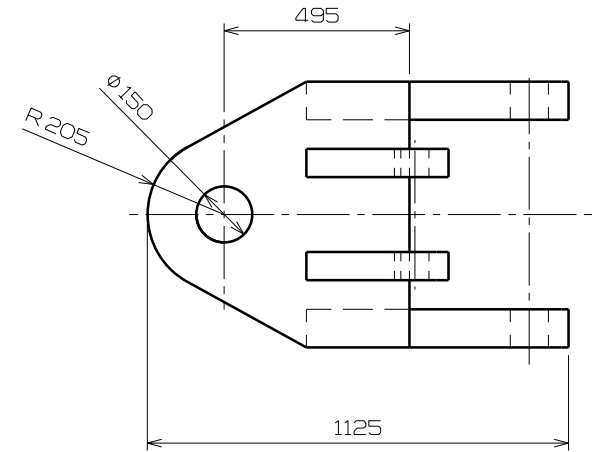
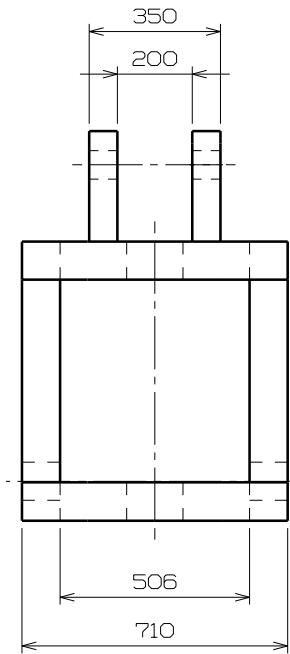


①



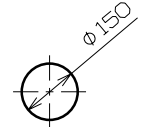
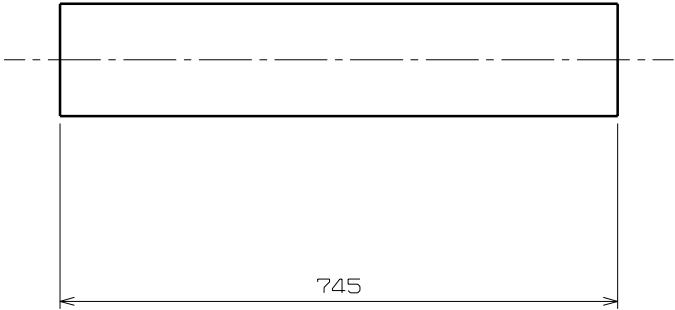
This drawing is our property. It can't be reproduced or communicated without our written agreement.		<a href="http://www.studycadcam.com">http://www.studycadcam.com</a>		
DRAWN BY studycadcam		DATE -	DRAWING TITLE 3D모델링 연습도면 1039-#1	
CHECKED BY studycadcam	DATE -	SIZE A4	DRAWING NUMBER 3D-DP1039-#1	REV O
DESIGNED BY studycadcam	DATE -	SCALE 1:1	WEIGHT(g)	SHEET 1/1

I O L E D O B A

8  
7  
6  
5  
4  
3  
2  
1

8  
7  
6  
5  
4  
3  
2  
1

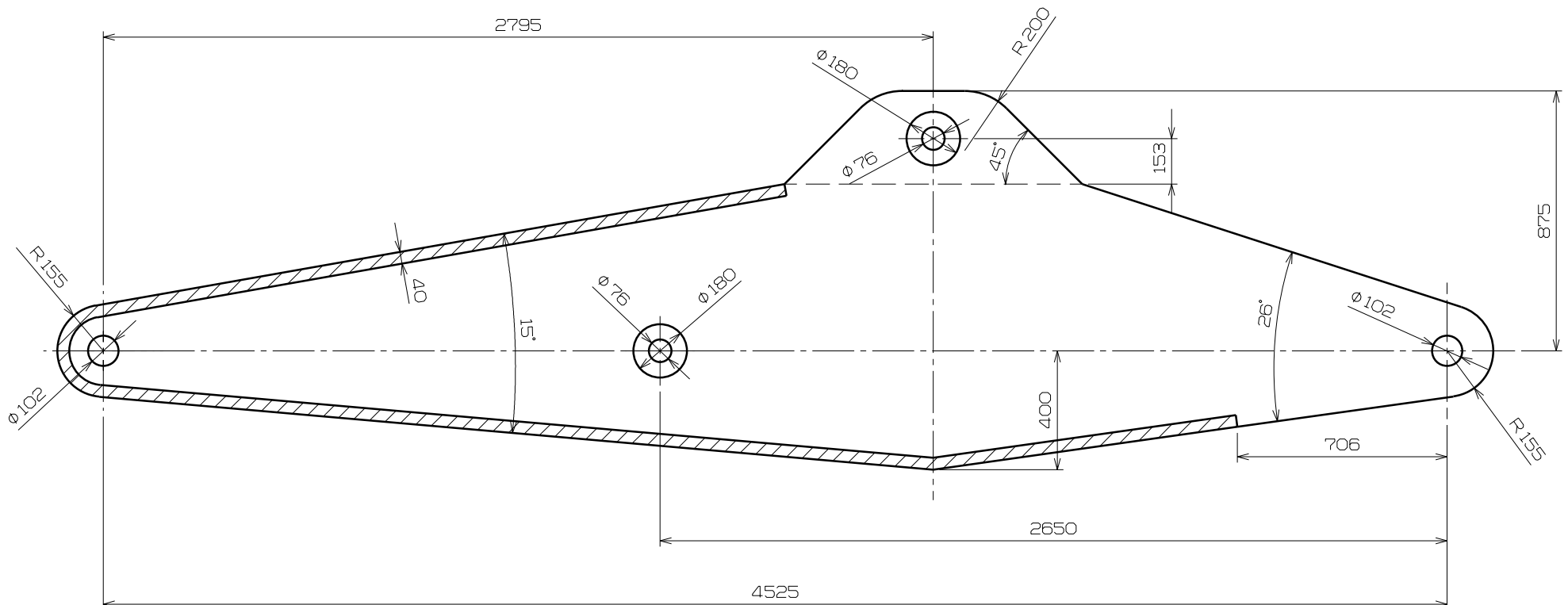
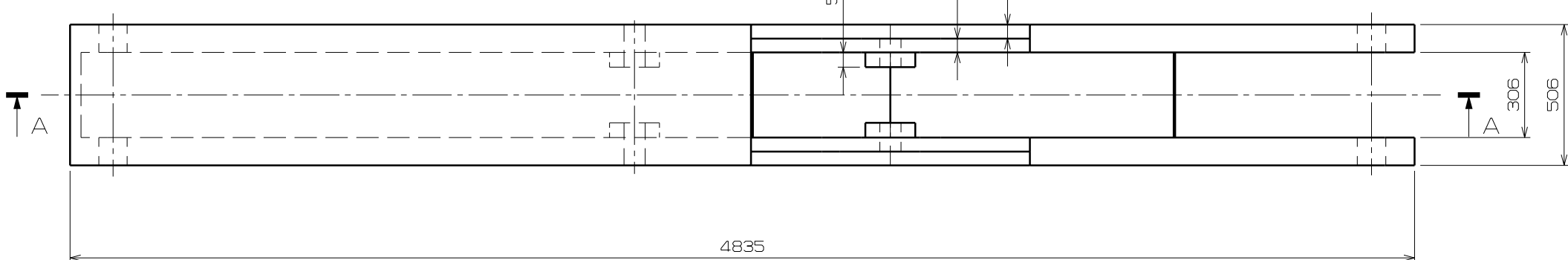
2



This drawing is our property. It can't be reproduced or communicated without our written agreement.		<a href="http://www.studycadcam.com">http://www.studycadcam.com</a>			
DRAWN BY studycadcam		DATE -		DRAWING TITLE 3D모델링 연습도면 1039-#2	
CHECKED BY studycadcam		DATE -		SIZE A4	DRAWING NUMBER 3D-DP1039-#2
DESIGNED BY studycadcam		DATE -		SCALE 1:1	WEIGHT(g) -  -  SHEET 1/1

H G B A

(3)

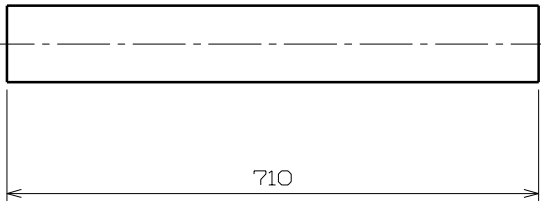


SECTION A-A

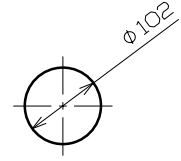
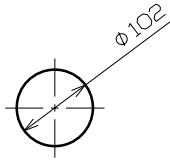
This drawing is our property. It can't be reproduced or communicated without our written agreement.		<a href="http://www.studycadcam.com">http://www.studycadcam.com</a>	
DRAWN BY studycadcam		DRAWING TITLE 3D모델링 연습도면 1039-#3	
CHECKED BY studycadcam	DATE -	SIZE A4	DRAWING NUMBER 3D-DP1039-#3
DESIGNED BY studycadcam	DATE -	SCALE 1:1	WEIGHT(g) -  -  SHEET 1/1



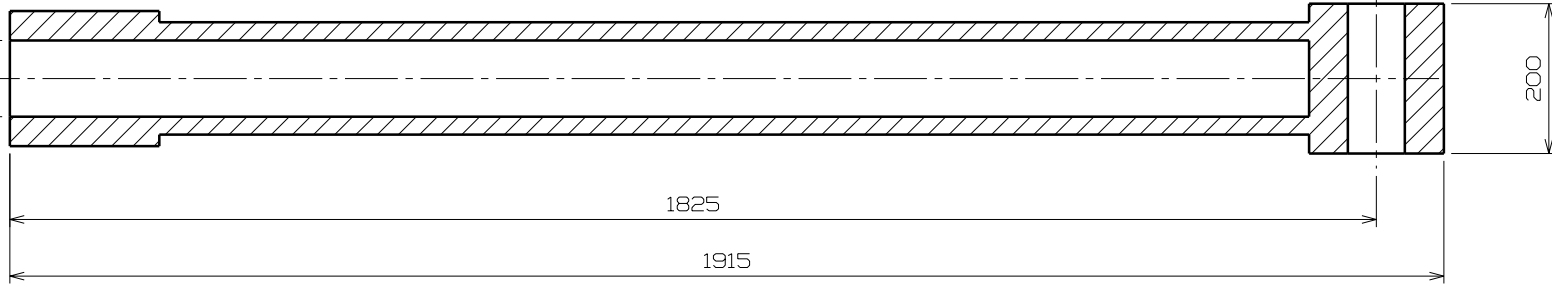
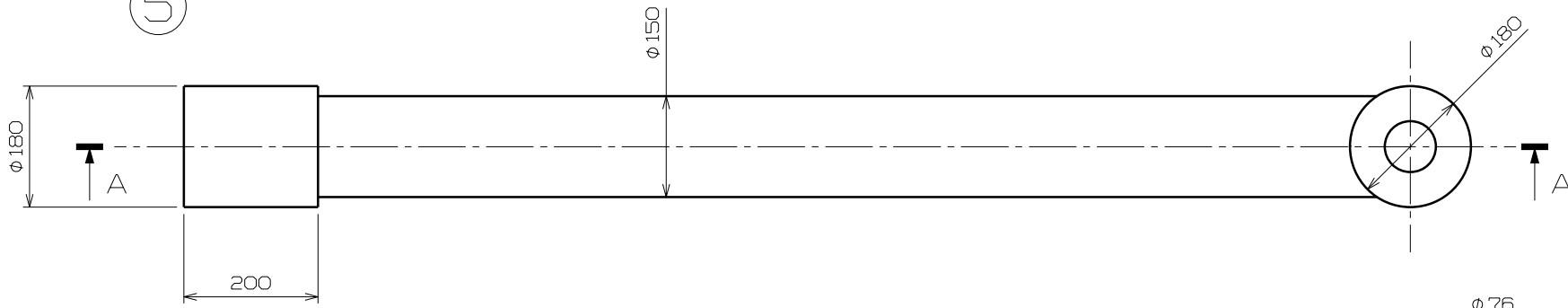
④



④A

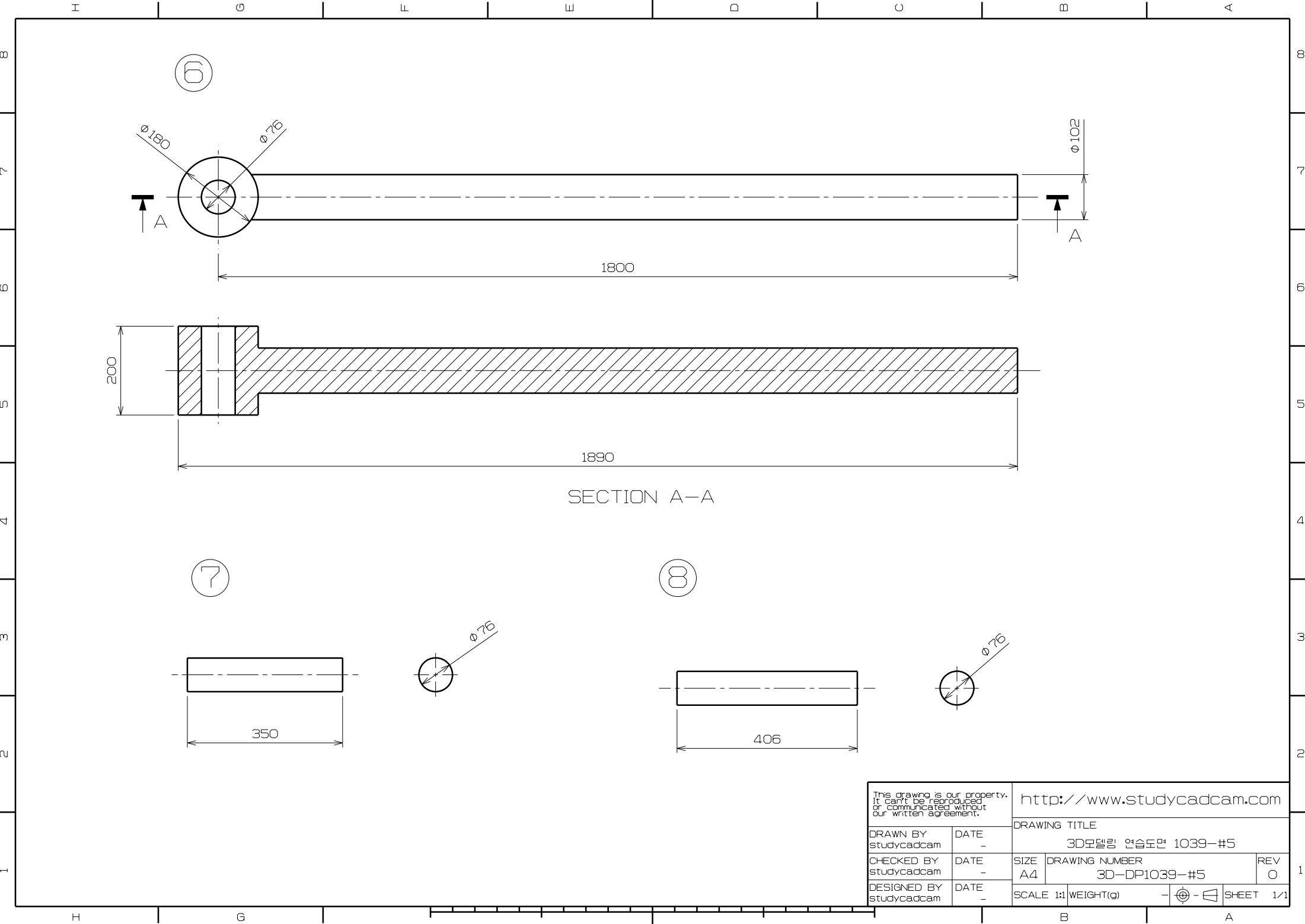


⑤

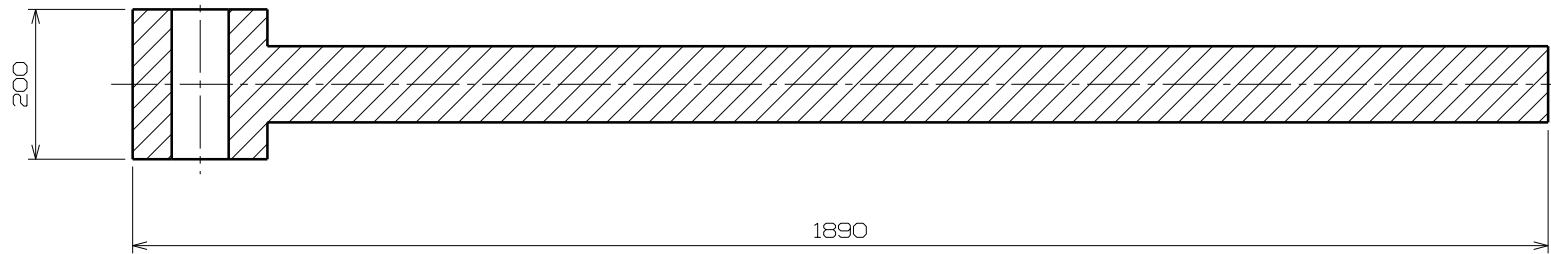
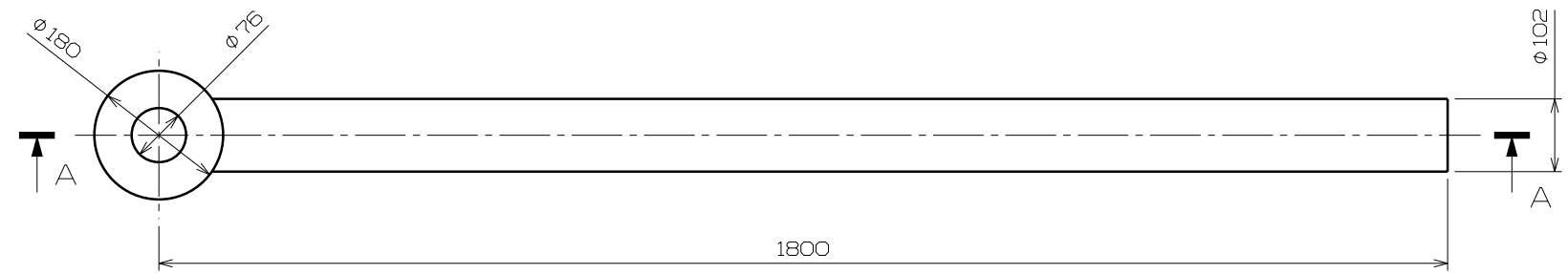


SECTION A-A

This drawing is our property. It can't be reproduced or communicated without our written agreement.		<a href="http://www.studycadcam.com">http://www.studycadcam.com</a>	
DRAWN BY studycadcam		DRAWING TITLE 3D모델링 연습도면 1039-#4	
CHECKED BY studycadcam	DATE -	SIZE A4	DRAWING NUMBER 3D-DP1039-#4
DESIGNED BY studycadcam	DATE -	SCALE 1:1	WEIGHT(g) -  -  SHEET 1/1

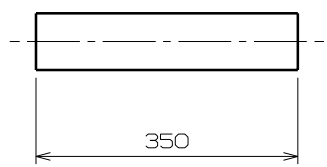


6

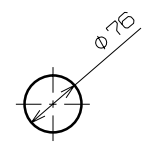
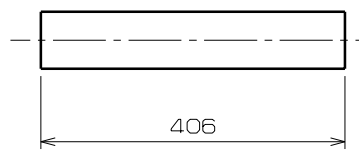
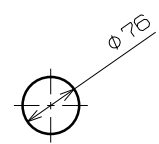


SECTION A-A

7

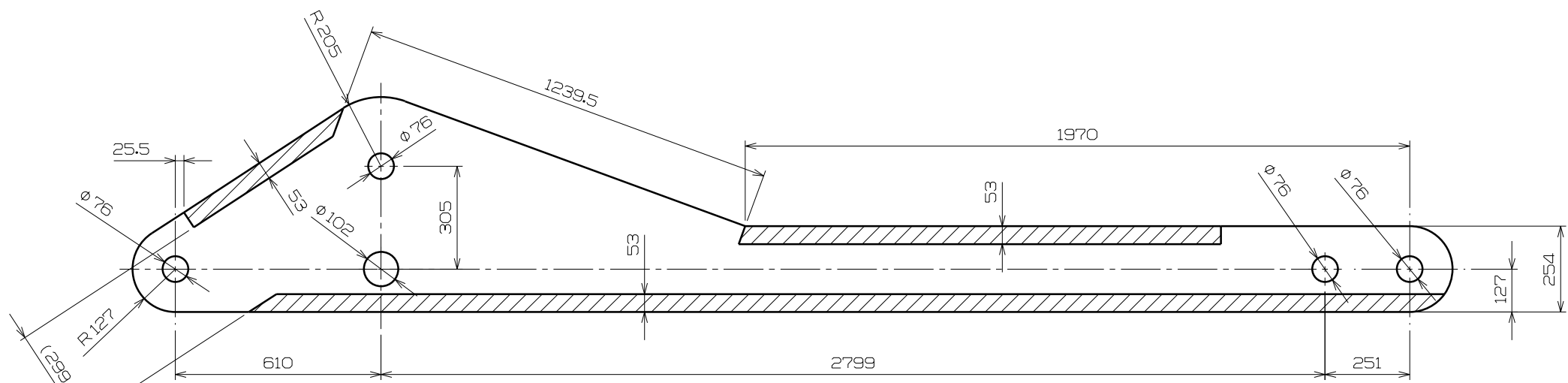
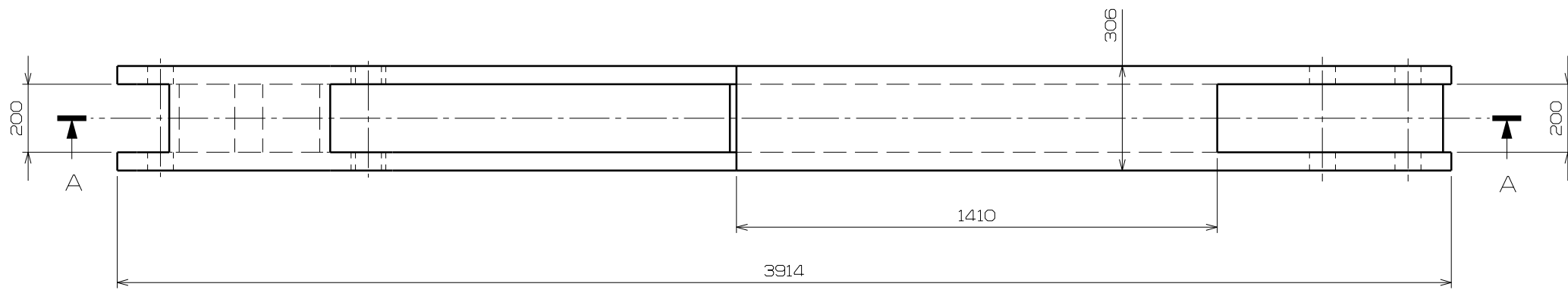


8



This drawing is our property. It can't be reproduced or communicated without our written agreement.		<a href="http://www.studycadcam.com">http://www.studycadcam.com</a>		
DRAWN BY studycadcam		DATE -	DRAWING TITLE 3D모델링 연습도면 1039-#5	
CHECKED BY studycadcam	DATE -	SIZE A4	DRAWING NUMBER 3D-DP1039-#5	REV 0
DESIGNED BY studycadcam	DATE -	SCALE 1:1	WEIGHT(g)	SHEET 1/1

10



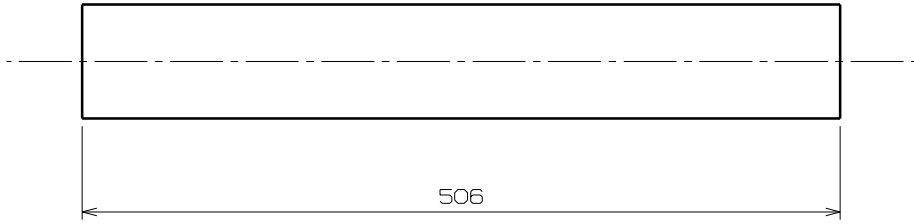
SECTION A-A

This drawing is our property. It can't be reproduced or communicated without our written agreement.		<a href="http://www.studycadcam.com">http://www.studycadcam.com</a>	
DRAWN BY studycadcam		DRAWING TITLE 3D모델링 연습도면 1039-#6	
CHECKED BY studycadcam	DATE -	SIZE A4	DRAWING NUMBER 3D-DP1039-#6
DESIGNED BY studycadcam	DATE -	SCALE 1:1	WEIGHT(g) -  - SHEET 1/1

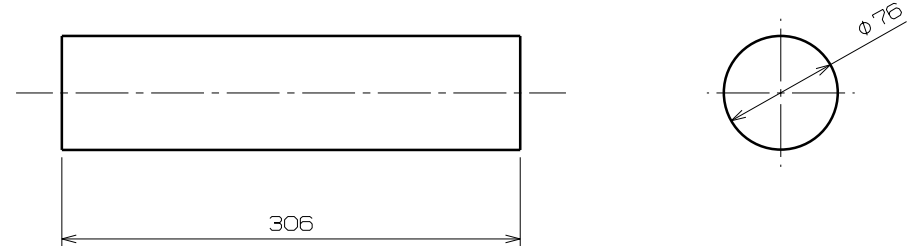
I O L E D O B A

8  
7  
6  
5  
4  
3  
2  
1

10

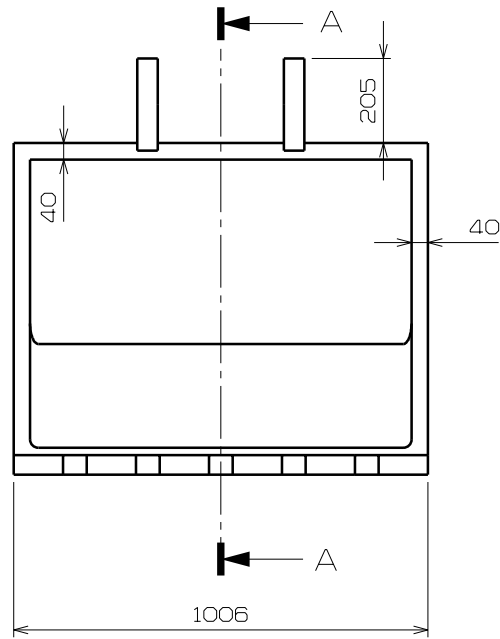
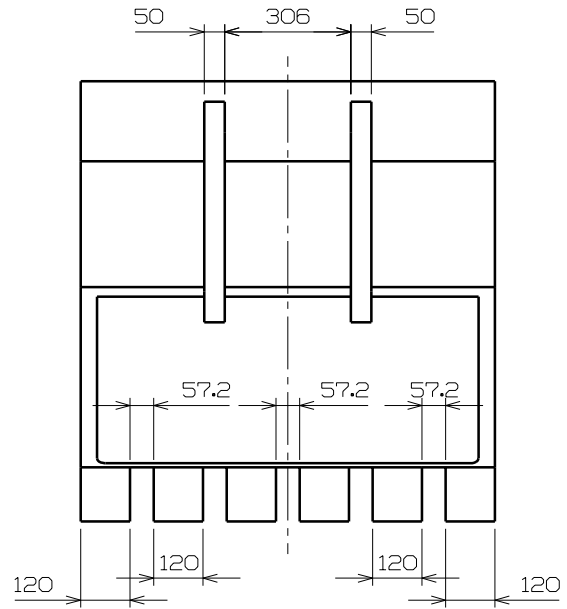


11

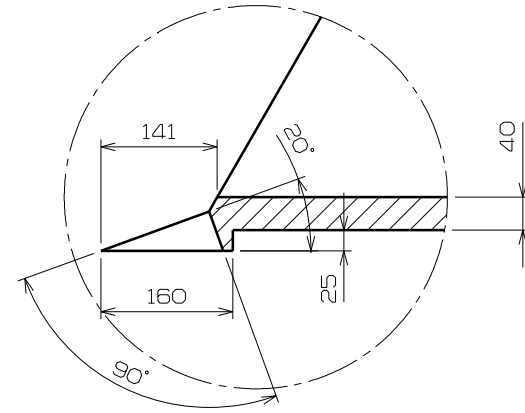


This drawing is our property. It can't be reproduced or communicated without our written agreement.		<a href="http://www.studycadcam.com">http://www.studycadcam.com</a>			
DRAWN BY studycadcam		DATE -	DRAWING TITLE 3D모델링 연습도면 1039-#7		
CHECKED BY studycadcam	DATE -	SIZE A4	DRAWING NUMBER 3D-DP1039-#7	REV 0	
DESIGNED BY studycadcam	DATE -	SCALE 1:1	WEIGHT(g)	-	SHEET 1/1

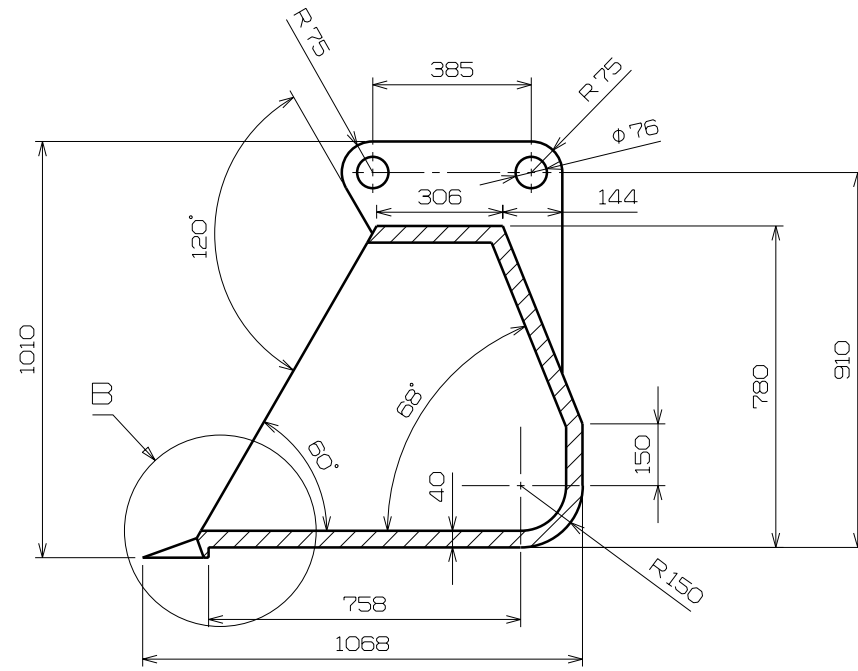
H G B A



12



DETAIL B  
SCALE 2:1



SECTION A-A

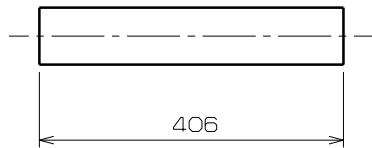
This drawing is our property.  
It can't be reproduced  
or communicated without  
our written agreement.

<http://www.studycadcam.com>

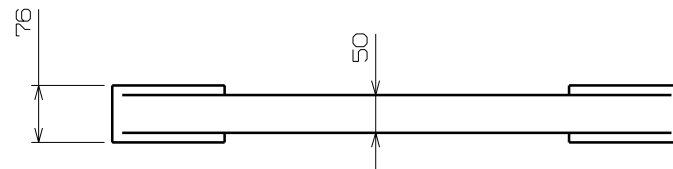
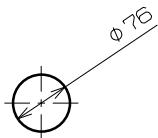
DRAWN BY studycadcam	DATE -
CHECKED BY studycadcam	DATE -
DESIGNED BY studycadcam	DATE -

DRAWING TITLE 3D모델링 연습도면 1039-#8	
SIZE A4	DRAWING NUMBER 3D-DP1039-#8
SCALE 1:1	WEIGHT(g) - $\oplus$ - $\square$ SHEET 1/1



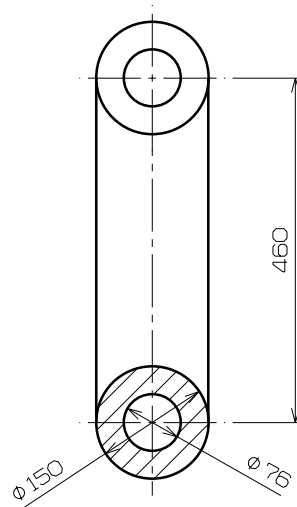
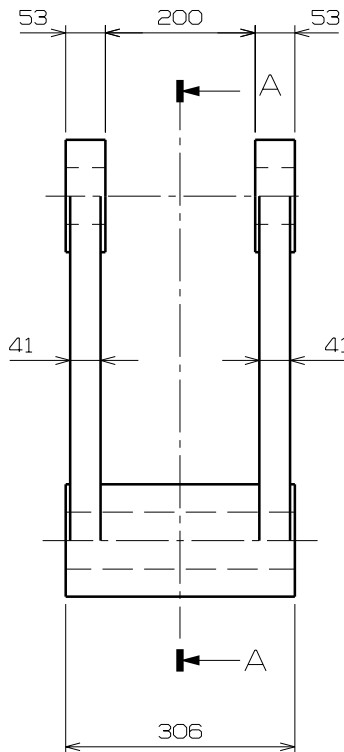


13

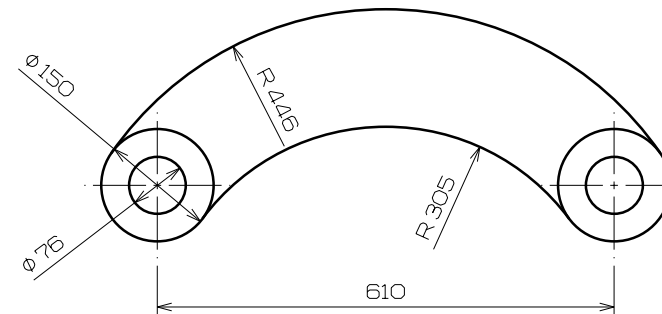


15

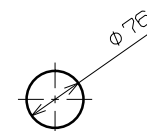
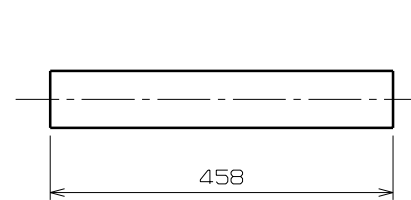
14



SECTION A-A



16



This drawing is our property. It can't be reproduced or communicated without our written agreement.		<a href="http://www.studycadcam.com">http://www.studycadcam.com</a>		
DRAWN BY studycadcam		DATE -		DRAWING TITLE 3D모델링 연습도면 1039-#10
CHECKED BY studycadcam		DATE -		SIZE A4
DESIGNED BY studycadcam		DATE -		DRAWING NUMBER 3D-DP1039-#10
		SCALE 1:1		WEIGHT(g) -  -  SHEET 1/1